



WINDOW TECHNOLOGY
DOOR TECHNOLOGY
AUTOMATIC ENTRANCE SYSTEMS
BUILDING MANAGEMENT SYSTEMS



PLANNING AND ORDERING DOCUMENT

GU-SECURITY X

The flexible multi-point locks



Securing technology for you



Multi-point locks GU-SECURITY X

Low-cost – simple – flexible



GU-SECURITY X is an assortment of articles, consisting of a main lock case with various backsets as well as top and bottom extension pieces, in order to achieve dimensional flexibility concerning door handle height and position of additional locks.

The range is used when replacing ageing multi-point locks, when adding more security and when assembling customised solutions.

Replacing old multi-point locks

GU-SECURITY multi-point locks are extremely durable and secure. However, after 30-40 years, the roller-cam or round bolt may need to be replaced. The GU-SECURITY X multi-point locks now allow for cost-effective, easy and flexible replacement.

An ageing multi-point lock can be replaced at the customer's premises using just a few components – and without needing to remove or replace the door.

The GU-SECURITY X-set includes all the necessary standard parts so that the issue can be fixed immediately without having to measure in advance and make two trips to the customer. This provides a real service for your customers.


Retrofitting extra security

If the customer so wishes, a door can be converted from 'low' security to 'increased' security simply by replacing the lock case and locking elements.

Flexibility using special solutions

Special versions, having variable locking points for example, can be assembled from the components easily and at low cost, and installed at the customer's premises.

Advantages at a glance

- Comprehensive options for repair and upgrade using just a few components and minimal effort 
- No need to remove the door to replace the multi-point lock
- Lock recesses and L&D strikers do not have to be changed
- Multi-point locks from other manufacturers can be replaced
- Variable locking points possible during door production

Product benefits of the GU-SECURY X range for house and apartment entrance doors

Simple installation

- With comfortable coupling point
- With locating pin for fixing the connecting rod in place

FlexiBle use (suitable for various door heights)

- Options for variable handle heights and locking points
- Intermediate faceplate for extension
- Identical for all timber, PVC and metal door systems
- Any number of cropping ranges for variable distances between the main lock case and additional locks
- Customised assembly of special versions

Versions

- In roller locking cam, round bolt, massive bolt SH bolt and Automatic latchbolt locking types
- Variants
 - assorted backsets
 - square or round faceplate
 - flat faceplate 16, 18 and 20 mm or U-faceplate 24 x 6 mm
 - hole distance 92 mm or 72 mm for profile cylinders
 - hole distance 78 mm for round cylinders

Optional accessories

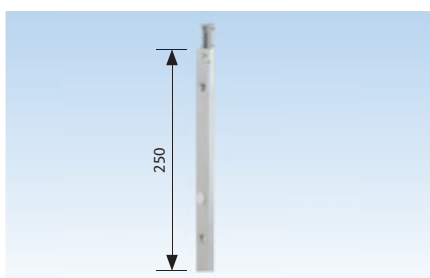
- Intermediate faceplate, reduction insert, clamps and end pieces, 'comfort' latch

Economical storage

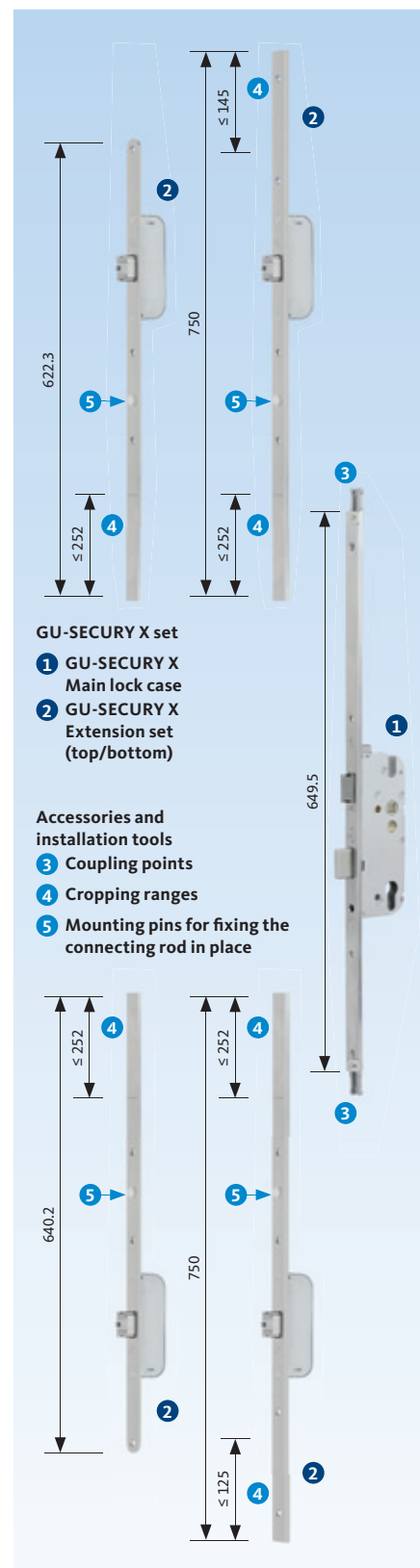
- As a kit comprising the main lock case and extension set (top/bottom)
- Main lock latch rh/lh reversible



Coupling point



Intermediate faceplate



Illustrative example: GU-SECURY XA

GU-SECURY X – lock types



Locking cam, roller

The adjustable roller locking cams optimise the door leaf gasket pressure at the top and bottom.



Locking cam, roller

Round bolt

The hardened steel round bolts with a projection of 20 mm and a bolt diameter of 11 mm fit precisely into the L&D striker and door frame. These are a secure solution when used with DIN steel door frames.



Round bolt

Massive bolt

The GU-SECURY MR system provides you with a multi-point lock with massive bolts which is protected from being sawn through or forced back. The same frame locking components used with the GU-SECURY Automatic system can be used here.



Massive bolt

Hook bolt

Securely locked with SH bolts. The GU-SECURY SH system provides you with a multi-point locking system which is saw-through proof and hooks in behind the striker. Due to the upwards locking motion of the SH bolt, this does not come down on the striker if the door is lowered.



Hook bolt

Automatic latchbolt

The convenient locking system GU-SECURY Automatic, e.g. for house and apartment doors. As soon as the door is shut, the Automatic latchbolts automatically throw 20 mm and are secured to prevent them being forced back – the door is locked when just pulled shut. These locking systems can be opened at any time via the lever handle from the inside and by key from the outside.



Automatic latchbolt



Installation and testing

Step 1:

Crop the GU-SECURITY X extensions with additional locks to the desired size (note cropping range).

Step 2

If the extensions are cropped, the burr produced in the cropping area must be removed before installation (partial installation) and exposed areas treated with an appropriate anti-corrosion agent.

Step 3

Turn the plates on the main lock case to the horizontal position. First insert the main lock case (3.1) and then the two additional locks (3.2) into the door leaf. The uppermost of the additional locks is marked on the reverse of the faceplate.

Step 4

Use appropriate fixing materials to fit the GU-SECURITY X in the door leaf.

Step 5

Turn the plates on the main lock case back to the vertical position.

Step 6

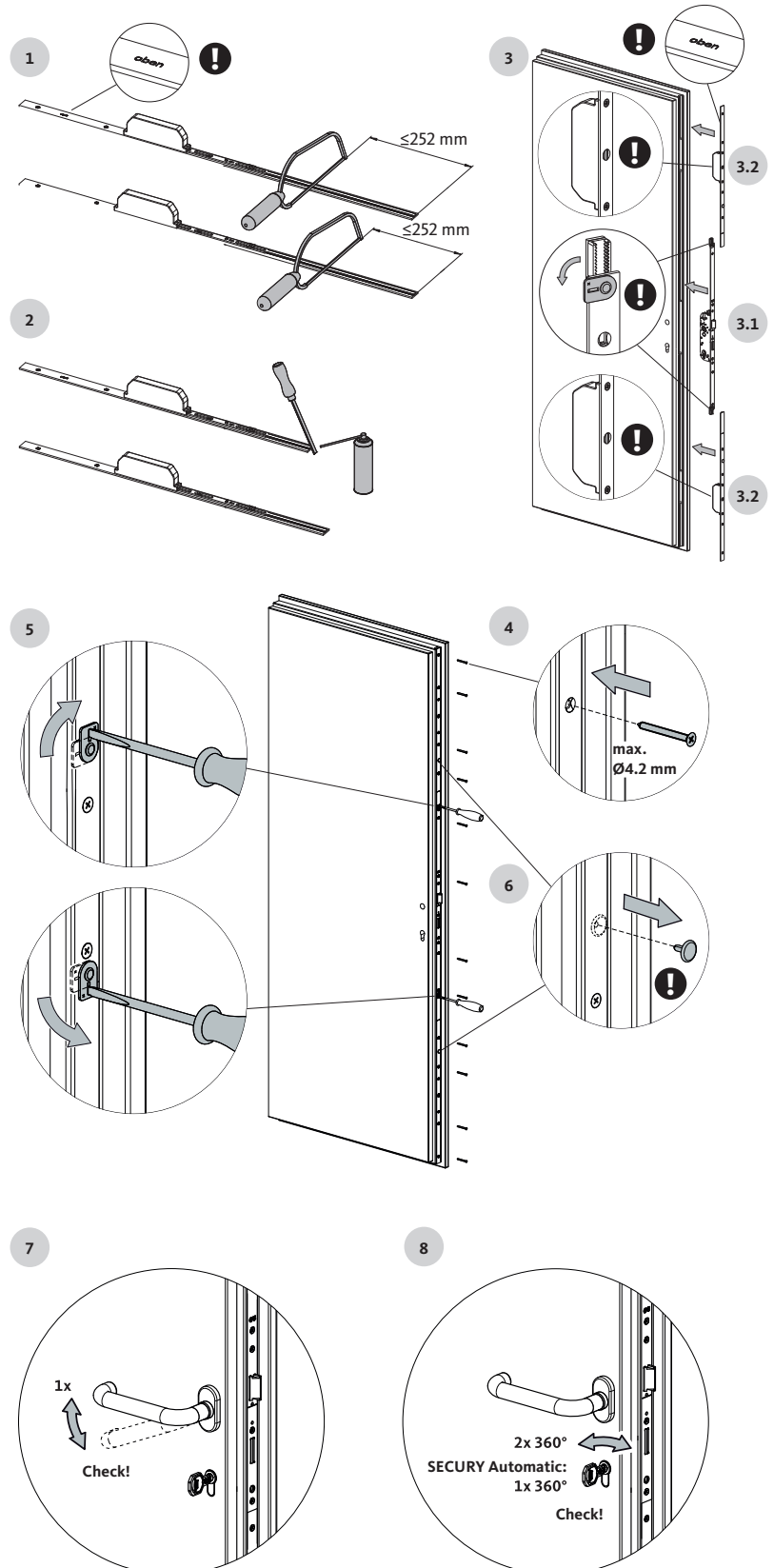
Remove the locating pin.

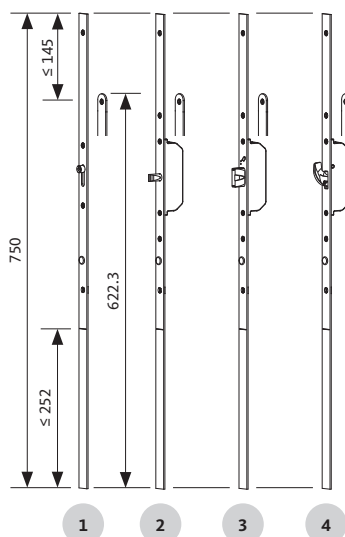
Step 7

Actuate the lever handle once to verify the correct functioning of the door hardware.

Step 8

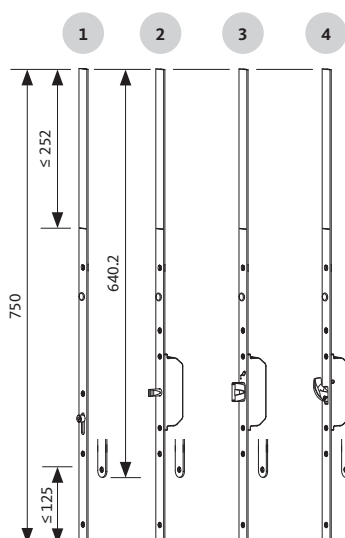
Turn the profile cylinder twice through 360° to check the lock and the latch lever function (manual locking).
Turn the profile cylinder once through 360° to check the lock and the latch lever function (automatic locking).

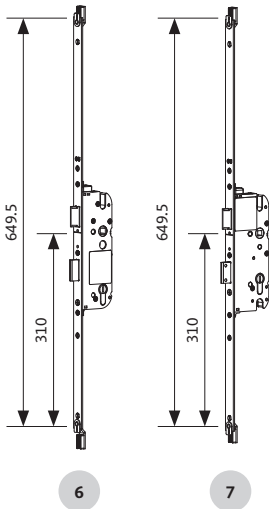




GU-SECURITY X extension set (top/bottom)

| Description | | Faceplate [mm] | Faceplate end | PU | Order number |
|-------------|---|----------------|---------------|----|----------------|
| 1 | GU-SECURITY X-SZ-R2 (locking cam, roller) | U 24 x 6 | square | 5 | K-19420-02-0-1 |
| | | 20 | square | 5 | K-19420-01-0-1 |
| | | 20 | round | 5 | K-19420-06-0-1 |
| | | 18 | square | 5 | K-19420-03-0-1 |
| | | 18 | round | 5 | K-19420-05-0-1 |
| | | 16 | square | 5 | K-19420-04-0-1 |
| 2 | GU-SECURITY X-SB2 (round bolt) | U 24 x 6 | square | 5 | K-19421-02-0-1 |
| | | 20 | square | 5 | K-19421-01-0-1 |
| | | 20 | round | 5 | K-19421-06-0-1 |
| | | 18 | square | 5 | K-19421-03-0-1 |
| | | 18 | round | 5 | K-19421-05-0-1 |
| | | 16 | square | 5 | K-19421-04-0-1 |
| 3 | GU-SECURITY X-MR2 (massive bolt) | U 24 x 6 | square | 5 | K-19564-02-0-1 |
| | | 20 | square | 5 | K-19564-01-0-1 |
| | | 20 | round | 5 | K-19564-06-0-1 |
| | | 18 | square | 5 | K-19564-03-0-1 |
| | | 18 | round | 5 | K-19564-05-0-1 |
| | | 16 | square | 5 | K-19564-04-0-1 |
| 4 | GU-SECURITY X-SH2 (hook bolt) | U 24 x 6 | square | 5 | K-19565-02-0-1 |
| | | 20 | square | 5 | K-19565-01-0-1 |
| | | 20 | round | 5 | K-19565-06-0-1 |
| | | 18 | square | 5 | K-19565-03-0-1 |
| | | 18 | round | 5 | K-19565-05-0-1 |
| | | 16 | square | 5 | K-19565-04-0-1 |



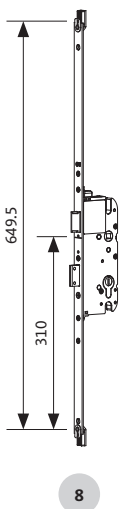


GU-SECURITY X main lock case with profile cylinder [1]

For the roller locking cam, round bolt, massive bolt and hook bolt locking types

| Description | Backset [mm] | Faceplate [mm] | Follower [mm] | PU | Order number | |
|----------------------------|--|----------------|---------------|----|----------------|----------------|
| 92 mm hole distance | | | | | | |
| 6 GU-SECURITY X | 80 | 20 | 10 | 5 | 6-39046-04-0-1 | |
| | | 16 | 10 | 5 | 6-39046-19-0-1 | |
| | 65 | 20 | 10 | 5 | 6-39046-03-0-1 | |
| | | 16 | 10 | 5 | 6-39046-18-0-1 | |
| | 45 | U 24 x 6 | 10 | 5 | 6-39046-08-0-1 | |
| | | 20 | 10 | 5 | 6-39046-02-0-1 | |
| | | 16 | 10 | 5 | 6-39046-17-0-1 | |
| | 35 | U 24 x 6 | 10 | 5 | 6-39046-07-0-1 | |
| | | 20 | 10 | 5 | 6-39046-01-0-1 | |
| | | 16 | 10 | 5 | 6-39046-16-0-1 | |
| | 72 mm hole distance (for DIN door frames) | | | | | |
| | 7 GU-SECURITY XDZ | 65 | 20 | 8 | 5 | 6-39046-06-0-1 |
| 16 | | | 8 | 5 | 6-39046-21-0-1 | |
| 55 | | 20 | 8 | 5 | 6-39046-05-0-1 | |
| | | 16 | 8 | 5 | 6-39046-20-0-1 | |

[1] Marking notch 310 mm, variable handle height



GU-SECURITY X main lock case with Swiss round cylinder [1]

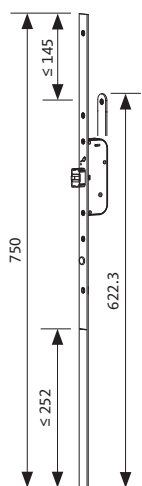
For the roller locking cam, round bolt, massive bolt and hook bolt locking types

| Description | Backset [mm] | Faceplate [mm] | Follower [mm] | PU | Order number |
|----------------------------|--------------|----------------|---------------|----|----------------|
| 78 mm hole distance | | | | | |
| 8 GU-SECURITY X | 80 | 18 | 10 | 5 | 6-39046-15-0-1 |
| | 70 | 18 | 10 | 5 | 6-39046-14-0-1 |
| | 60 | 18 | 10 | 5 | 6-39046-13-0-1 |

[1] Marking notch 310 mm, variable handle height

GU-SECURITY X – automatic locking

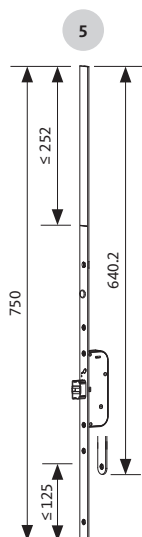
Order information – extension sets (top/bottom)



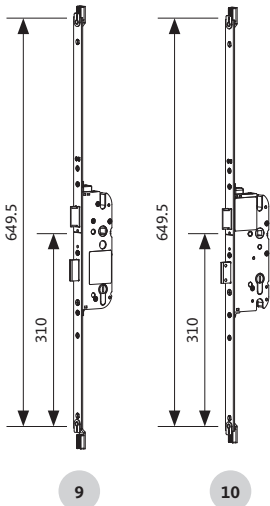
5

GU-SECURITY X extension set (top/bottom)

| Description | | Faceplate [mm] | Faceplate end | PU | Order number |
|-------------|--|----------------|---------------|----|----------------|
| 5 | GU-SECURITY X-AUT2 (Automatic latchbolt) | U 24 x 6 | square | 5 | K-19605-02-0-1 |
| | | 20 | square | 5 | K-19605-01-0-1 |
| | | 20 | round | 5 | K-19605-06-0-1 |
| | | 18 | square | 5 | K-19605-03-0-1 |
| | | 18 | round | 5 | K-19605-05-0-1 |
| | | 16 | square | 5 | K-19605-04-0-1 |



5

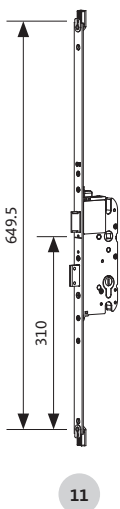


GU-SECURITY X main lock case with profile cylinder [2]

For the Automatic latchbolt

| Description | Backset [mm] | Faceplate [mm] | Follower [mm] | PU | Order number |
|--|--------------|----------------|---------------|----|----------------|
| 92 mm hole distance | | | | | |
| 9 | 80 | U 24 x 6 | 10 | 5 | 6-39460-10-0-1 |
| | | 20 | 10 | 5 | 6-39460-04-0-1 |
| | | 16 | 10 | 5 | 6-39460-19-0-1 |
| | 65 | U 24 x 6 | 10 | 5 | 6-39460-09-0-1 |
| | | 20 | 10 | 5 | 6-39460-03-0-1 |
| | | 16 | 10 | 5 | 6-39460-18-0-1 |
| | 45 | U 24 x 6 | 10 | 5 | 6-39460-08-0-1 |
| | | 20 | 10 | 5 | 6-39460-02-0-1 |
| | | 16 | 10 | 5 | 6-39460-17-0-1 |
| | 35 | U 24 x 6 | 10 | 5 | 6-39460-07-0-1 |
| | | 20 | 10 | 5 | 6-39460-01-0-1 |
| | | 16 | 10 | 5 | 6-39460-16-0-1 |
| 72 mm hole distance (for DIN door frames) | | | | | |
| 10 | 65 | U 24 x 6 | 8 | 5 | 6-39460-12-0-1 |
| | | 20 | 8 | 5 | 6-39460-06-0-1 |
| | | 16 | 8 | 5 | 6-39460-21-0-1 |
| | 55 | U 24 x 6 | 8 | 5 | 6-39460-11-0-1 |
| | | 20 | 8 | 5 | 6-39460-05-0-1 |
| | | 16 | 8 | 5 | 6-39460-20-0-1 |

[2] Marking notch 310 mm, variable handle height

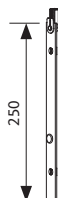


GU-SECURITY X main lock case with Swiss round cylinder [2]

For the Automatic latchbolt

| Description | Backset [mm] | Faceplate [mm] | Follower [mm] | PU | Order number | |
|----------------------------|----------------|----------------|---------------|----|--------------|----------------|
| 78 mm hole distance | | | | | | |
| 11 | GU-SECURITY XA | 80 | 18 | 10 | 5 | 6-39460-15-0-1 |
| | | 70 | 18 | 10 | 5 | 6-39460-14-0-1 |
| | | 60 | 18 | 10 | 5 | 6-39460-13-0-1 |

[2] Marking notch 310 mm, variable handle height



Intermediate faceplate – faceplate length 250 mm

| Description | Faceplate [mm] | PU | Order number |
|--------------------------------------|----------------|----|----------------|
| GU-SECURITY X intermediate faceplate | U 24 x 6 | 5 | 6-39383-02-0-1 |
| | 20 | 5 | 6-39383-01-0-1 |
| | 18 | 5 | 6-39383-03-0-1 |
| | 16 | 5 | 6-39383-04-0-1 |



Reduction insert

| Description | PU | Order number |
|---|----|----------------|
| Reduction insert – follower 10 mm to 8 mm | 10 | 9-30481-00-0-1 |
| Reduction insert – follower 10 mm to 9 mm | 10 | B 7685 0003 |



Clamping part/end piece for faceplate top

| Description | Faceplate [mm] | Shape | PU | Order number |
|---------------------------------|----------------|----------|-----|----------------|
| Clamping part for faceplate top | – | – | 100 | 9-29498-00-0-1 |
| End piece for faceplate top | 20 | round | 100 | 9-35946-02-0-1 |
| End piece for faceplate top | 20 | bevelled | 100 | 9-35946-03-0-1 |
| End piece for faceplate top | U 24 x 6 | bevelled | 200 | 9-39909-01-0-6 |



'Comfort' latch – for subsequent replacement

| Description | Backset [mm] | PU | Order number |
|-----------------|--------------|----|----------------|
| 'Comfort' latch | 35 | 1 | 9-43487-35-0-1 |
| | 45 | 1 | 9-43487-45-0-1 |
| | 55 | 1 | 9-43487-55-0-1 |
| | 65 | 1 | 9-43487-65-0-1 |
| | 80 | 1 | 9-43487-80-0-1 |





WINDOW TECHNOLOGY
DOOR TECHNOLOGY
AUTOMATIC ENTRANCE SYSTEMS
BUILDING MANAGEMENT SYSTEMS

Gretsch-Unitas GmbH
Baubeschläge
Johann-Maus-Str. 3
71254 Ditzingen, Germany
Tel. +49 7156 301-0
Fax +49 7156 301-77980

BKS GmbH
Heidestr. 71
42549 Velbert
Germany
Tel. +49 2051 201-0
Fax +49 2051 201-9733

www.g-u.com

Printed in Germany
05/2017

WP00335-04-2-2



Copyright notice

© All illustrations and texts in this publication are protected by copyright. Unless otherwise stated on the image, the rights belong to the Gretsch-Unitas Group. Any use of copyright protected materials without the consent of the holder of the rights is prohibited.

Publisher

Gretsch-Unitas GmbH Baubeschläge
Johann-Maus-Str. 3 | D-71254 Ditzingen
Tel. +49 7156 301-0 | Fax +49 7156 301-293 | www.g-u.com

Securing technology for you

